

**Energy buffer storage tank
EnerVal G (800,1000)**

- Steel buffer storage tank for the hydraulic integration of energy generators
- Thermal insulation made of polyester fibre with foil jacket, colour red
- 8 connection flanges DN 65 (PN 16)
- 2 connection flanges DN 80 (PN 16)
- 2 flanges DN 110 for flange-mounted electric heating element
- 3 sleeves G ½" (IT) for sensor/thermometer
- Terminal strips for contact sensors
- 1 sleeve G 1" (IT) for circulation lance
- 1 sleeve G 1" (IT) for ventilation
- Perforated separating plate in the central area for separation of the temperature zones
- Flow diversions permanently installed
- 12 insulated flange hoods
- 1 insulated cover cap made of EPP hard foam, 2-piece (can be broken out)

Delivery

- Buffer storage tank mounted and packed with foil jacket (can be removed for installation)
- Insulated flange hoods and cover cap already mounted (removable)



EnerVal G (1000)

EnerVal G (4000)

Range

EnerVal G type	Nominal content l	Operating pressure bar
(800)	788	6
(1000)	928	6
(1500)	1384	6
(2500)	2360	6
(4000)	4021	6
(6000)	5897	6

**Energy buffer storage tank
EnerVal G (1500,2500)**

- Steel buffer storage tank for the hydraulic integration of energy generators
- Thermal insulation made of polyester fibre with foil jacket, colour red
- 8 connection flanges DN 80 (PN 16)
- 2 connection flanges DN 100 (PN 16)
- 2 flanges DN 180 for flange-mounted electric heating element
- 3 sleeves G ½" (IT) for sensor/thermometer
- Terminal strips for contact sensors
- 1 sleeve G 1" (IT) for ventilation
- Perforated separating plate in the central area for separation of the temperature zones
- Flow diversions permanently installed
- 12 insulated flange hoods

Delivery

- Buffer storage tank (1500) mounted and packed with foil jacket (can be removed for installation)
- Buffer storage tank (2500) thermal insulation separate
- Insulated flange hoods already mounted (removable)

**Energy buffer storage tank
EnerVal G (4000,6000)**

- Steel buffer storage tank for the hydraulic integration of energy generators
- Without thermal insulation (on-site)
- 8 connection flanges DN 100 (PN 16)
- 2 connection flanges DN 125 (PN 16)
- 2 flanges DN 180 for flange-mounted electric heating element
- 3 sleeves G ½" (IT) for sensor/thermometer
- Terminal strips for contact sensors
- 1 sleeve G 1" (IT) for ventilation
- Perforated separating plate in the central area for separation of the temperature zones
- Flow diversions permanently installed

Delivery

- Buffer storage tank raw packed
- Thermal insulation to be provided on site

Buffer storage tank



EnerVal G (800-6000)

Steel tank raw on the inside
 EnerVal G (800-1500) fully insulated;
 EnerVal G (2500), separate thermal insulation;
 EnerVal G (4000,6000) packaged raw,
 thermal insulation to be provided on site

EnerVal G type	Nominal content l
(800)	788
(1000)	928
(1500)	1384
(2500)	2360
(4000)	4021
(6000)	5897

Part No.

7019 133
 7019 134
 7019 135
 7019 136
 6059 869
 6059 870

Accessories

Protective tube immersion

sleeve set 200 1/2", 4 x
 For installation of maximum 4 sensors
 Nickel-plated brass
 Installation length = 187 mm
 Outer Ø: 18 mm, inner Ø: 16 mm
 including 3 segment springs 90°,
 1 Omega clamping spring

6061 045



Protective tube immersion sleeve SB280 1/2"

Nickel-plated brass
 Installation length = 280 mm
 Outer Ø: 9 mm, inner Ø: 7 mm

2018 837



Thermometer kit

for EnerVal (200-6000)
 Thermometer 0-120 °C with
 chromium plated edge and Hoval logo
 Stem length: 80 mm, stem Ø: 9 (13) mm,
 External Ø: 80 mm
 incl. immersion sleeve 1/2" nickel-plated
 brass, installation length: 200 mm,
 external Ø: 16 mm, internal Ø: 15 mm
 and clamping spring

6052 107

Services



Commissioning

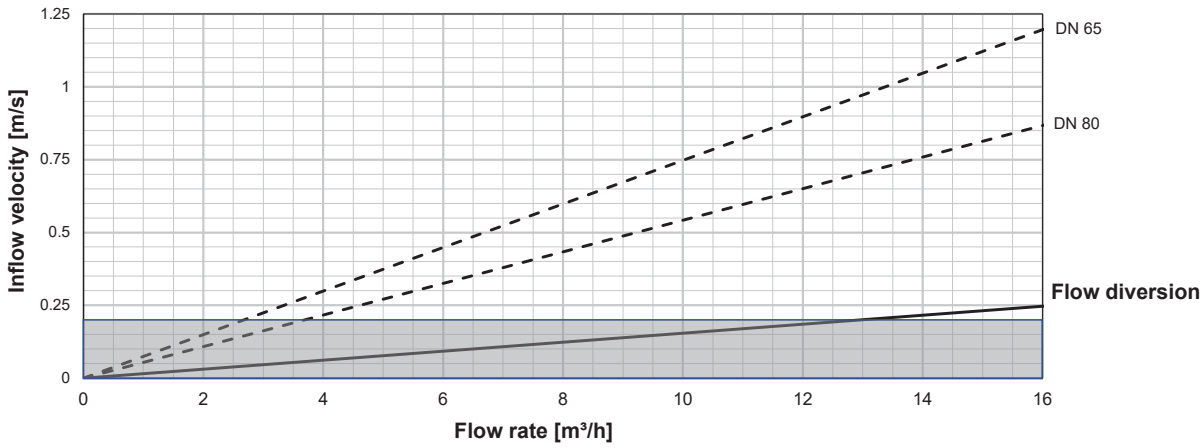
Commissioning by works service or Hoval
 trained authorised serviceman/company is
 condition for warranty.

For commissioning and other services
 please contact your Hoval sales office.

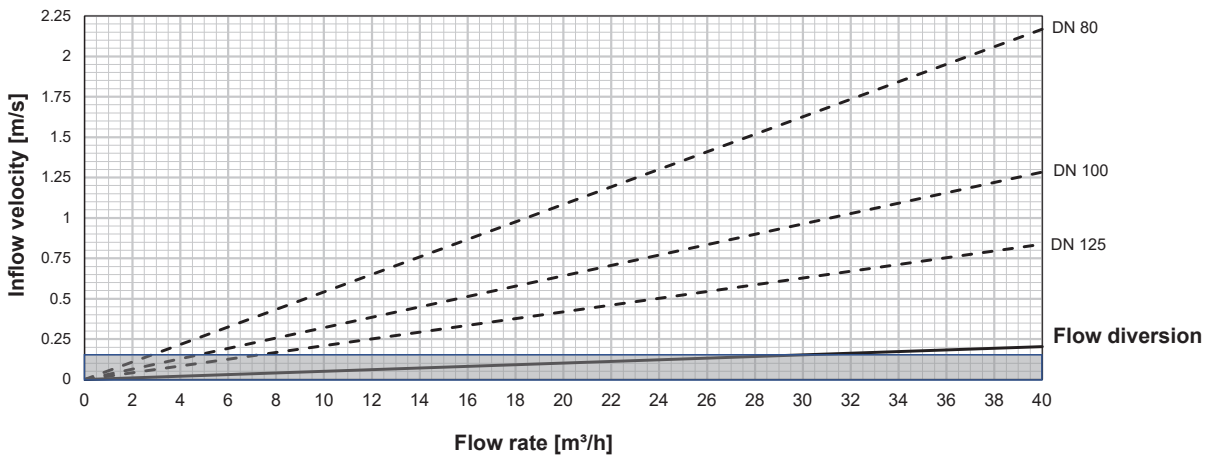
EnerVal G (800-6000)

Type		(800)	(1000)	(1500)	(2500)	(4000)	(6000)
• Volume	l	788	928	1384	2360	3907	5815
• Max. operating/test pressure	bar	6/8	6/8	6/8	6/8	6/8	6/8
• Min. operating temperature	°C	20	20	20	20	20	20
• Max. operating temperature	°C	95	95	95	95	95	95
• Thermal insulation made from polyester fleece	mm	150	150	150	150	-	-
• Thermal insulation λ	W/mK	0.040	0.040	0.040	0.040	-	-
• Fire protection class		B2	B2	B2	B2	-	-
• Heat loss at 65 °C	W	114	129	153	203	-	-
• Transport weight	kg	187	201	371	788	1233	1854
• U value	W/m ² K	0.357	0.341	0.328	0.295	-	-
• Dimensions		see dimensional drawing					

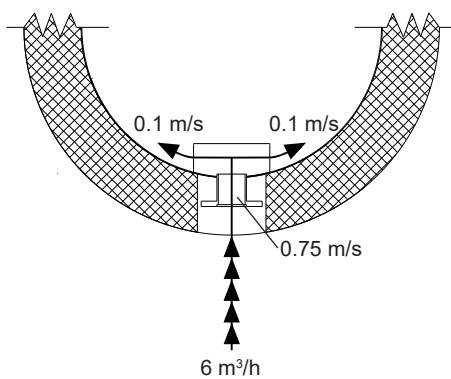
Velocity in the connection nozzles and inflow velocity with flow deflection in the EnerVal G (800,1000)



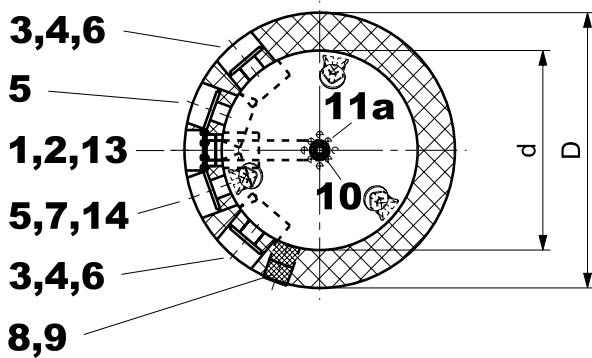
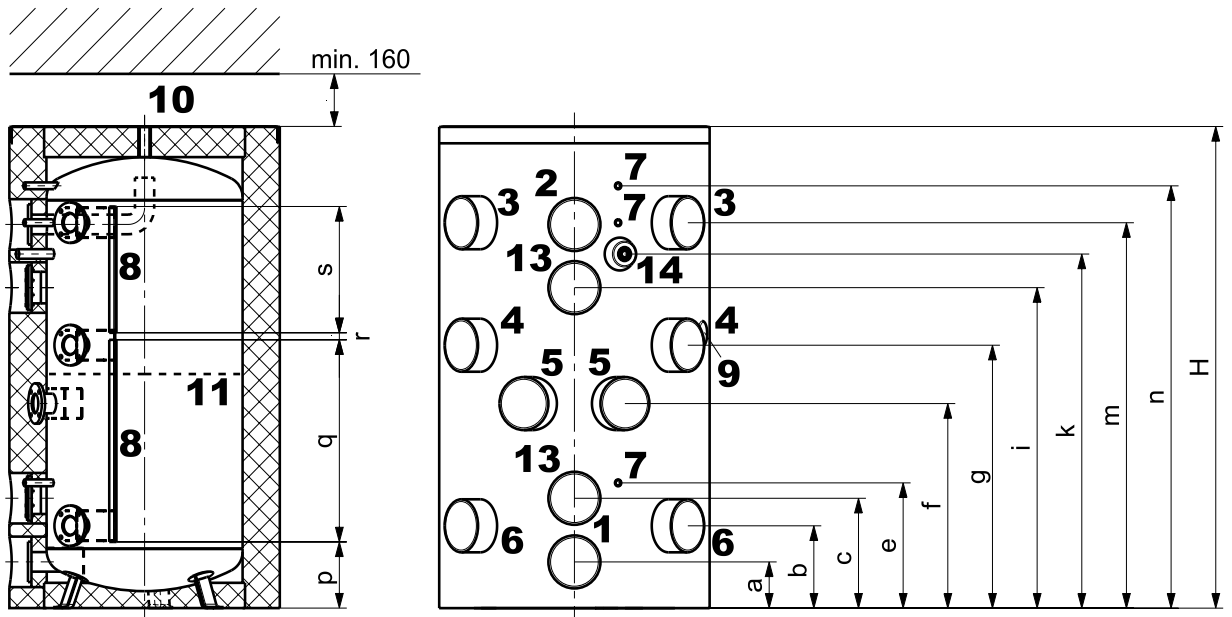
EnerVal G (1500-6000)



Example of inlet velocity distribution by flow diversions



EnerVal G (800-2500)
(Dimensions in mm)



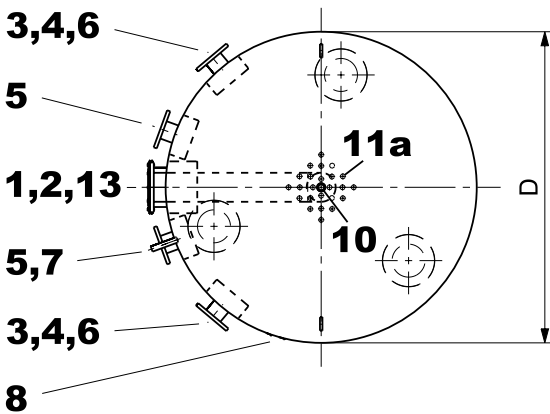
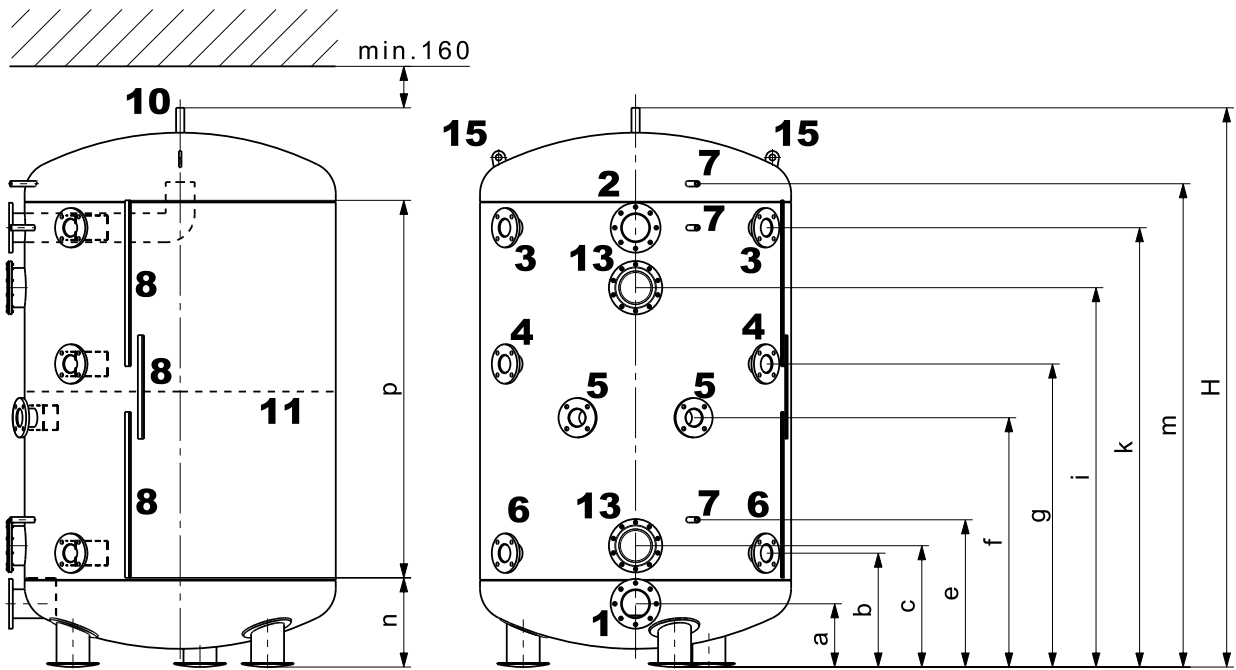
Variation because of the production tolerance possible
Dimension +/- 10 mm

	Type (800,1000)	Type (1500,2500)
1 Heating connection return discharge (inflow restrictor)	DN 80, 4 x M16*	DN 100, 4 x M16*
2 Heating connection flow discharge (single-layer elbow pipe)	DN 80, 4 x M16*	DN 100, 4 x M16*
3 Heat generator connection flow top (inflow restrictor)	DN 65, 4 x M12*	DN 80, 4 x M16*
4 Heat generator connection return top (inflow restrictor)	DN 65, 4 x M12*	DN 80, 4 x M16*
5 Heat generator connection flow bottom (inflow restrictor)	DN 65, 4 x M12*	DN 80, 4 x M16*
6 Heat generator connection return bottom (inflow restrictor)	DN 65, 4 x M12*	DN 80, 4 x M16*
7 Sleeve for immersion sleeve, thermostat or thermometer	G 1/2" (IT)	G 1/2" (IT)
8 2 sensor terminal strips		
9 Removable cap (100 mm) for positioning the sensor	G 1" (IT)	G 1" (IT)
10 Possible air vent		
11 Separating plate		
11a Holes in the separating plate	12 x	12 x
13 Hand-hole flange (flange-mounted electric heating element) (800,1000) Ø 180/120 mm, pitch circle Ø 150 mm, 8 x M10 (1500,2500) Ø 257/180 mm, pitch circle Ø 225 mm, 10 x M10		
14 Connection for circulation lance, attention: only for type (800,1000)	G 1" (IT)	-

* The screw holes have threads

EnerVal G type	D	d	H	a	b	c	e	f	g	i	k	m	n	p	q	r	s	Tilting measure
(800)	1090	790	1907	183	326	435	496	810	1041	1269	1402	1526	1672	262	800	28	500	1945
(1000)	1090	790	2197	183	369	468	569	955	1186	1472	1596	1759	1942	370	800	100	500	2230
(1500)	1300	1000	2089	180	358	489	529	894	1144	1360	-	1679	1819	319	800	100	500	2154
(2500)	1500	1200	2500	250	435	560	645	1100	1352	1670	-	2003	2211	400	800	100	800	2567

EnerVal G (4000,6000)
(Dimensions in mm)



Variation because of the production tolerance possible
Dimension +/- 10 mm

- | | | | |
|-----|--|--|---|
| 1 | Heating connection | return discharge (inflow restrictor) | DN 125, 8 x M16* |
| 2 | Heating connection | flow discharge (single-layer elbow pipe) | DN 125, 8 x M16* |
| 3 | Heat generator connection | flow top (inflow restrictor) | DN 100, 4 x M16* |
| 4 | Heat generator connection | return top (inflow restrictor) | DN 100, 4 x M16* |
| 5 | Heat generator connection | flow bottom (inflow restrictor) | DN 100, 4 x M16* |
| 6 | Heat generator connection | return bottom (inflow restrictor) | DN 100, 4 x M16* |
| 7 | Sleeve for immersion sleeve, thermostat or thermometer | | G 1/2" (IT) |
| 8 | 3 sensor terminal strips | | |
| 10 | Possible air vent | | G 1" (IT) |
| 11 | Separating plate | | |
| 11a | Holes in the separating plate | | 24 x |
| 13 | Hand-hole flange (flange-mounted electric heating element) | | |
| | | | Ø 257/180 mm, pitch circle Ø 225 mm, 10 x M10 |
| 15 | Transport strap | | |

* The screw holes have threads

EnerVal G type	D	H	a	b	c	e	f	g	i	k	m	n	p	Tilting measure
(4000)	1500	2696	305	549	585	710	1202	1461	1829	2118	2330	430	1820	2773
(6000)	1500	3802	302	625	805	985	1704	2064	2603	3142	3442	550	2700	3858